

# HURRAY

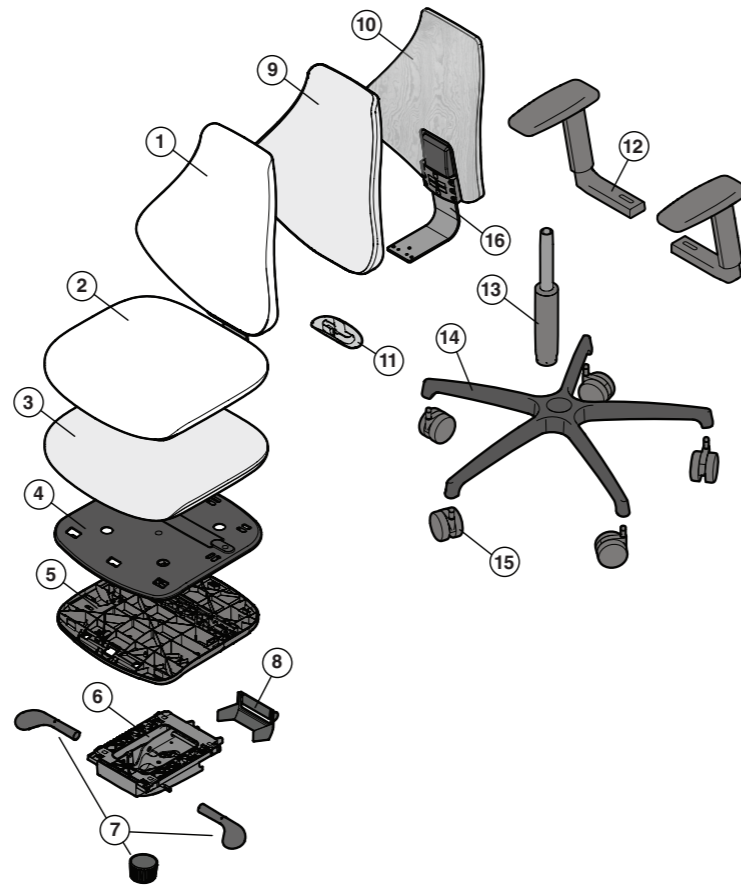
Assembly guide



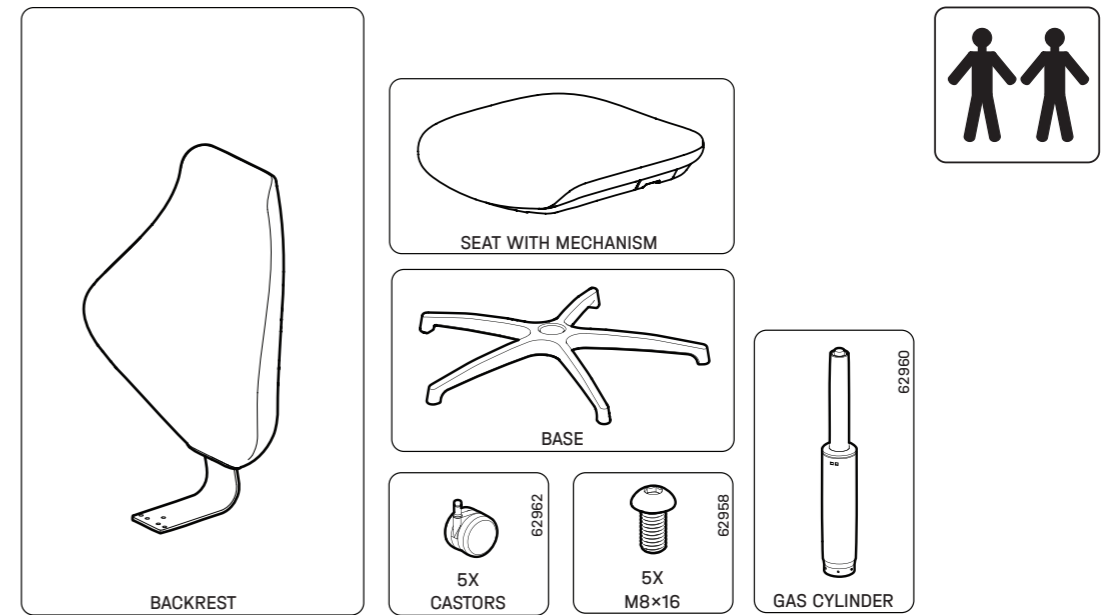
AJ-A-1060  
V1.2 2024-06-26

## PARTS DIAGRAM AND MATERIALS

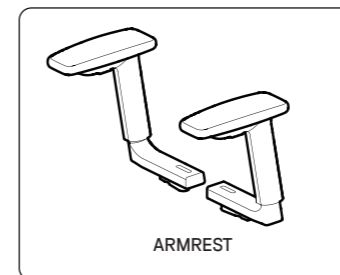
Part no.	Description	Material	
1	Backrest cover foam	PU	Plastic
2	Seat cover foam	PU	Plastic
3	Seat foam padding	PU	Plastic
4	Seat shell	PP	Plastic
5	Seat shell	PP	Plastic
6	Seat mechanism	Aluminium	Metal
7	Adjustment knobs/handles	PA	Plastic
8	Cover	PP	Plastic
9	Backrest foam padding	PU	Plastic
10	Backrest shell	Plywood	Wood
11	Cover	PP	Plastic
12	Armrest (pair)	PA	Plastic
13	Gas cylinder	Steel	Metal
14	Wheelbase	PA	Plastic
15	Wheels	PP	Plastic
16	Backrest fixing plate	Steel	Metal



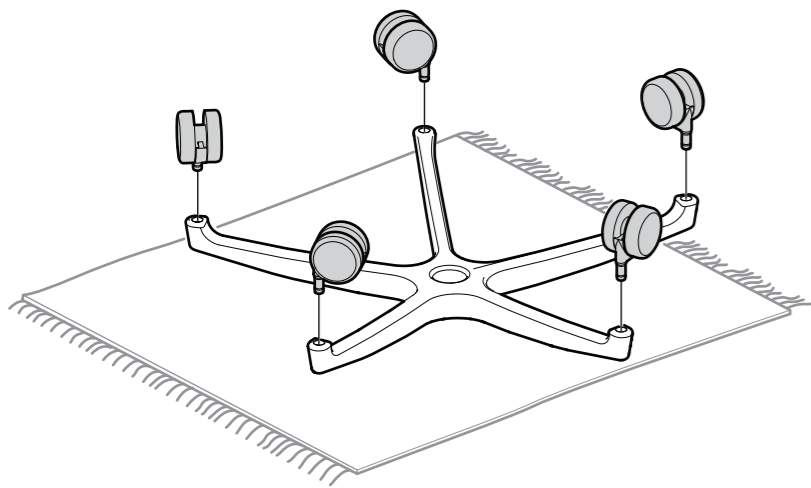
## PACKAGE CONTENTS



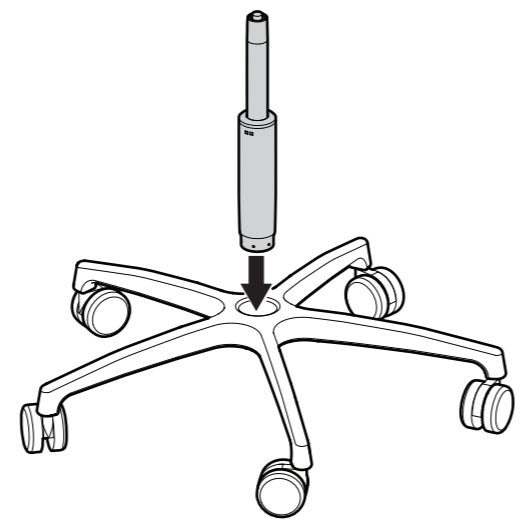
## OPTIONAL ACCESSORIES



1

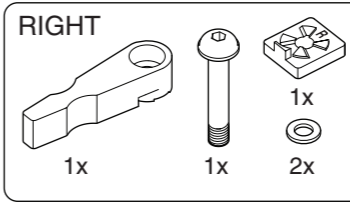
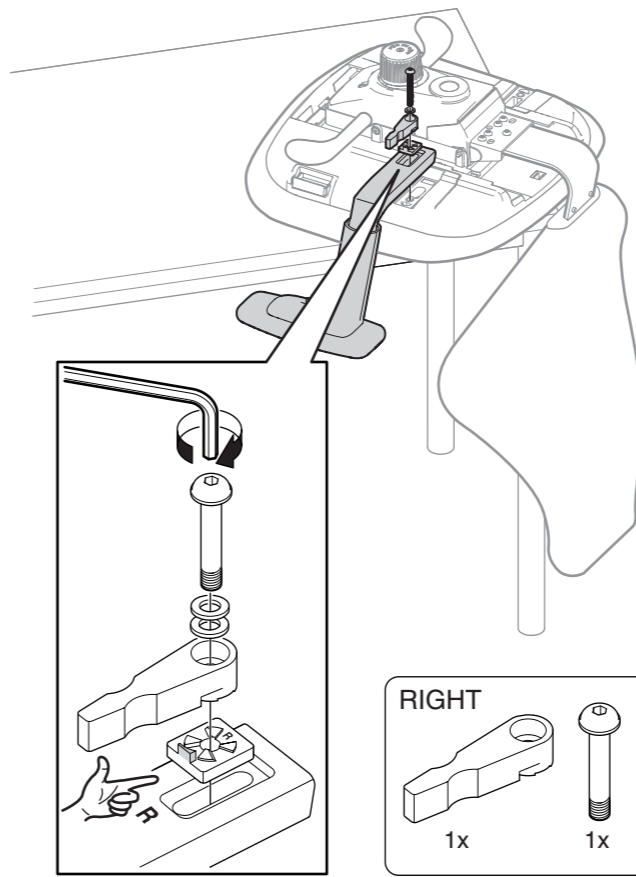


2



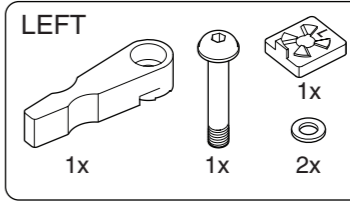
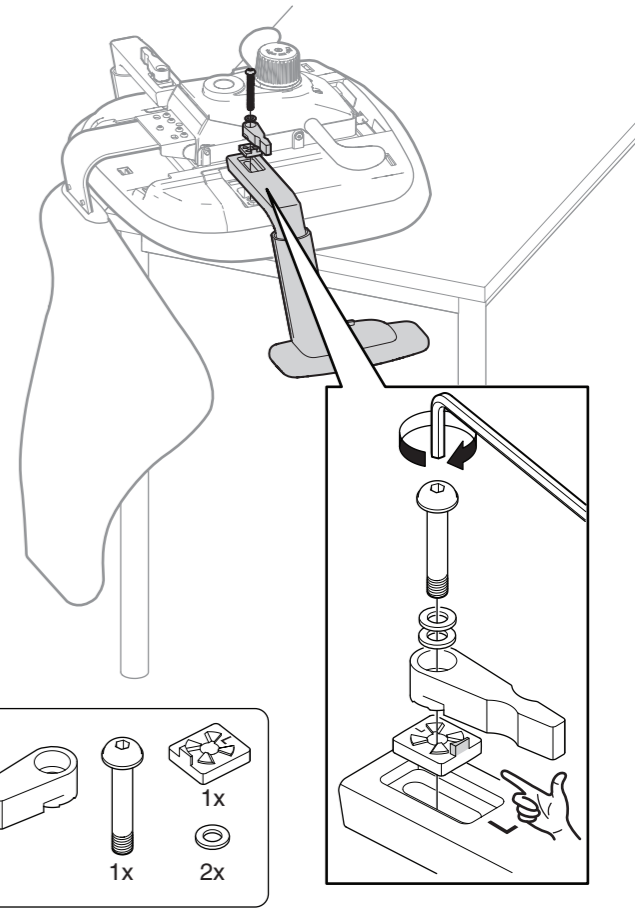
4

OPTIONAL  
ARMREST ASSEMBLY - RIGHT

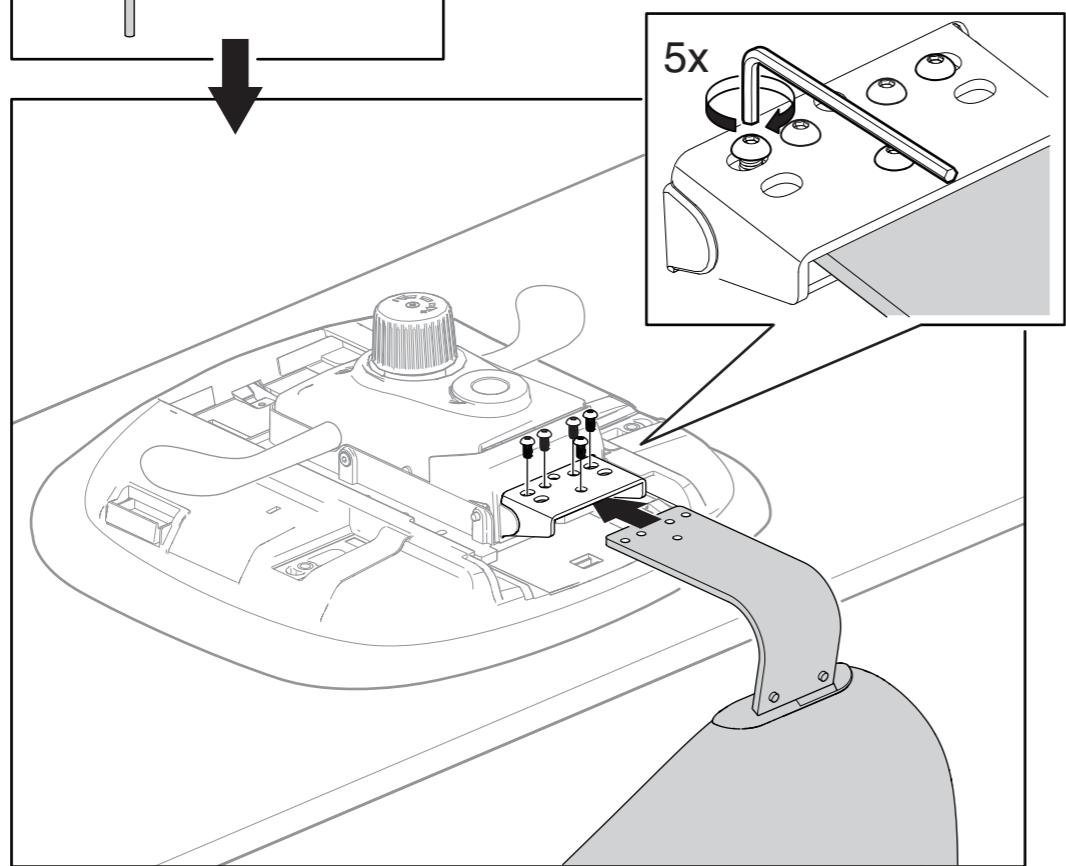
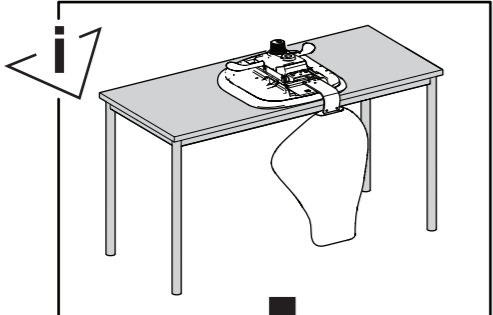


5

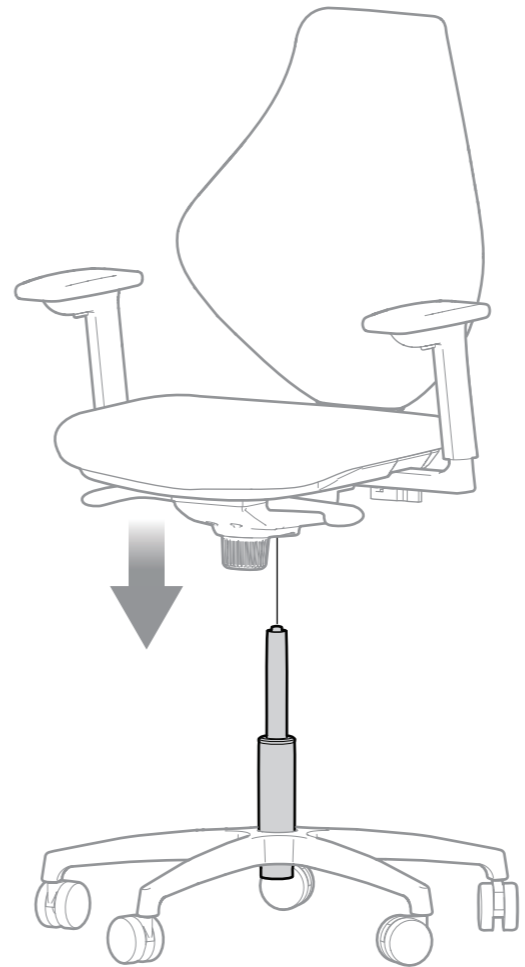
OPTIONAL  
ARMREST ASSEMBLY - LEFT



3



6



**i**

The fabric cover on this chair is washable. Please follow the care instructions label on the cover for guidance.

Additionally, you can find the product disassembly instructions on our website: [www.ajproducts.com](http://www.ajproducts.com)